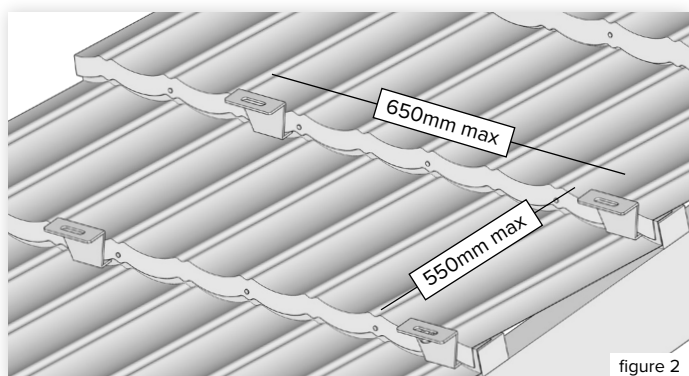
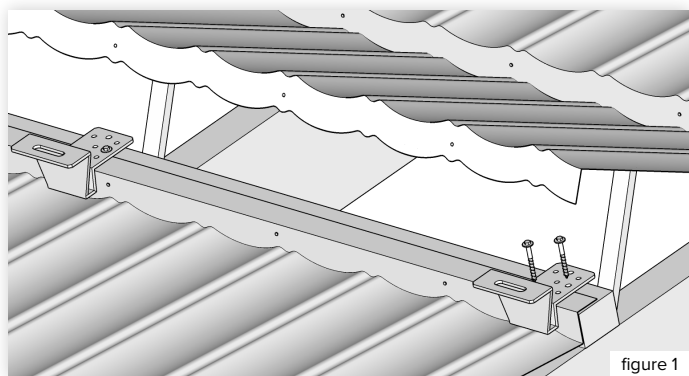
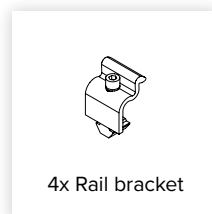
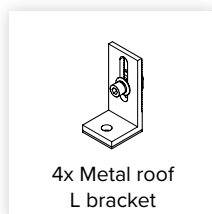
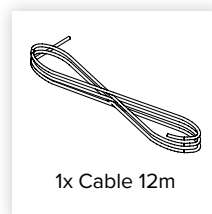
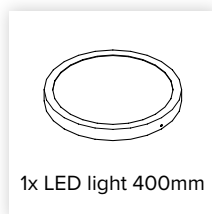
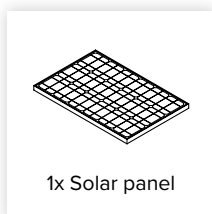


TOOLS REQUIRED

- Allen key (Included)
- Battery drill
 - Nut setter 5/16"
- Phillips screw driver
- Hammer
- Pliers
- Ladder
- Spanner

Metal Tile

Installation Instructions



Install the solar panel on the roof

Fitting the tile roof brackets

1. Choose a suitable location on your roof to install the solar panel. The north side of your roof and a place free from potential shade is best if possible.
2. Remove the nails from the edge of the metal tile sheet in your chosen location.
3. Lift the metal tile sheet and fit temporary supports in place to hold the sheet up as per figure 1.
4. Fit 2 x Metal Tile Brackets to the exposed batten with screws provided, as per figure 1. Maximum allowable distance between bracket uprights – 650mm.
5. Remove the temporary supports and fit the metal tile sheet down over the bracket. DO NOT refix metal tile sheet to batten at this stage.
6. Repeat steps 2 - 5 directly above or below the first 2 Metal Tile Brackets. Maximum distance between first set and second set of brackets – 550mm. Once fitted, 4 x Metal Tile Brackets should look like figure 2.
7. Fit 4 x L brackets to the Metal Tile Brackets with the M8x20 bolts and nyloc nuts provided.

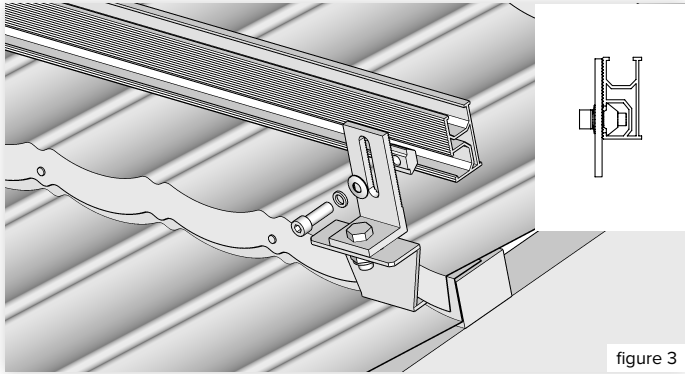


figure 3

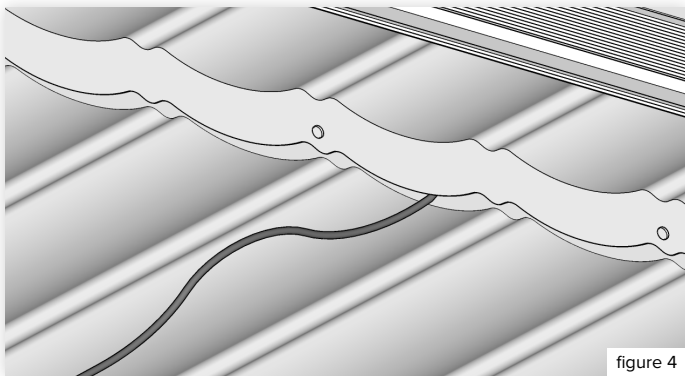


figure 4

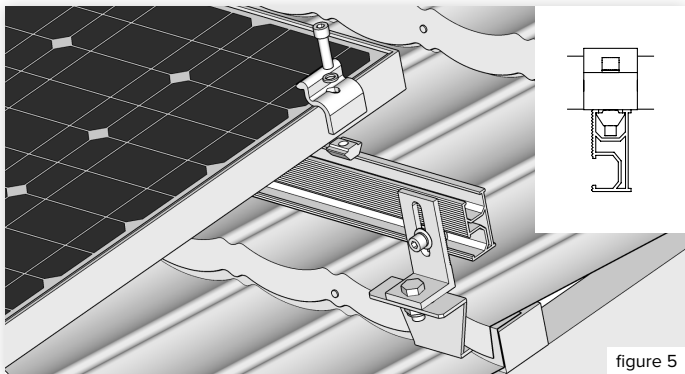


figure 5

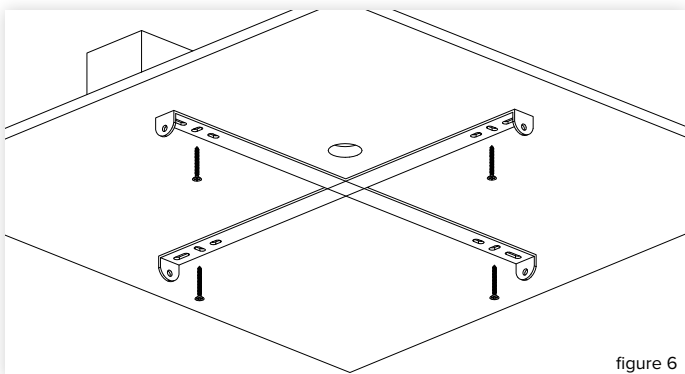


figure 6

Fitting the rails and solar panel

8. Fit the top and bottom rails using fixings and Allen key provided, as per figure 3.
9. Attach the Solarglow cable to the solar panel cable.
10. Lift one of the two loose metal tile sheets and thread the cable under the sheet and down into the attic space as per figure 4. Refix the metal tile sheet with nails.
11. Fit the solar panel to the rails using the end clamps, fixings and Allen key provided, as per figure 5.

Fitting the LED light

1. Choose a suitable internal location for your LED light, giving consideration to the location of the solar panel on the roof. The Solarglow cable is 12 metres long.
2. Remove the fixing bracket from the LED light and fit to the ceiling using fixings provided. Ideally fix directly into a joist or ceiling batten, as per figure 6. Elsewhere use plasterboard plugs provided.
3. Drill a 22mm hole through the ceiling, next to fixing brackets.
4. Thread the cable for the LED light up into the attic.
5. Fix the LED light to the fixing brackets, as per figure 7.
6. Access the attic space and connect the LED light cable to the Solarglow cable.
7. Enjoy your free solar generated light.

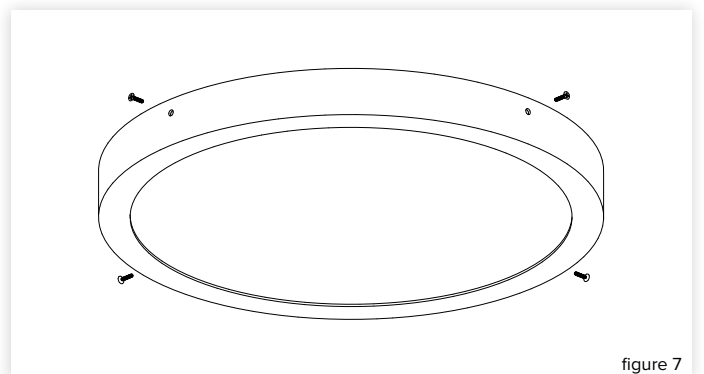


figure 7